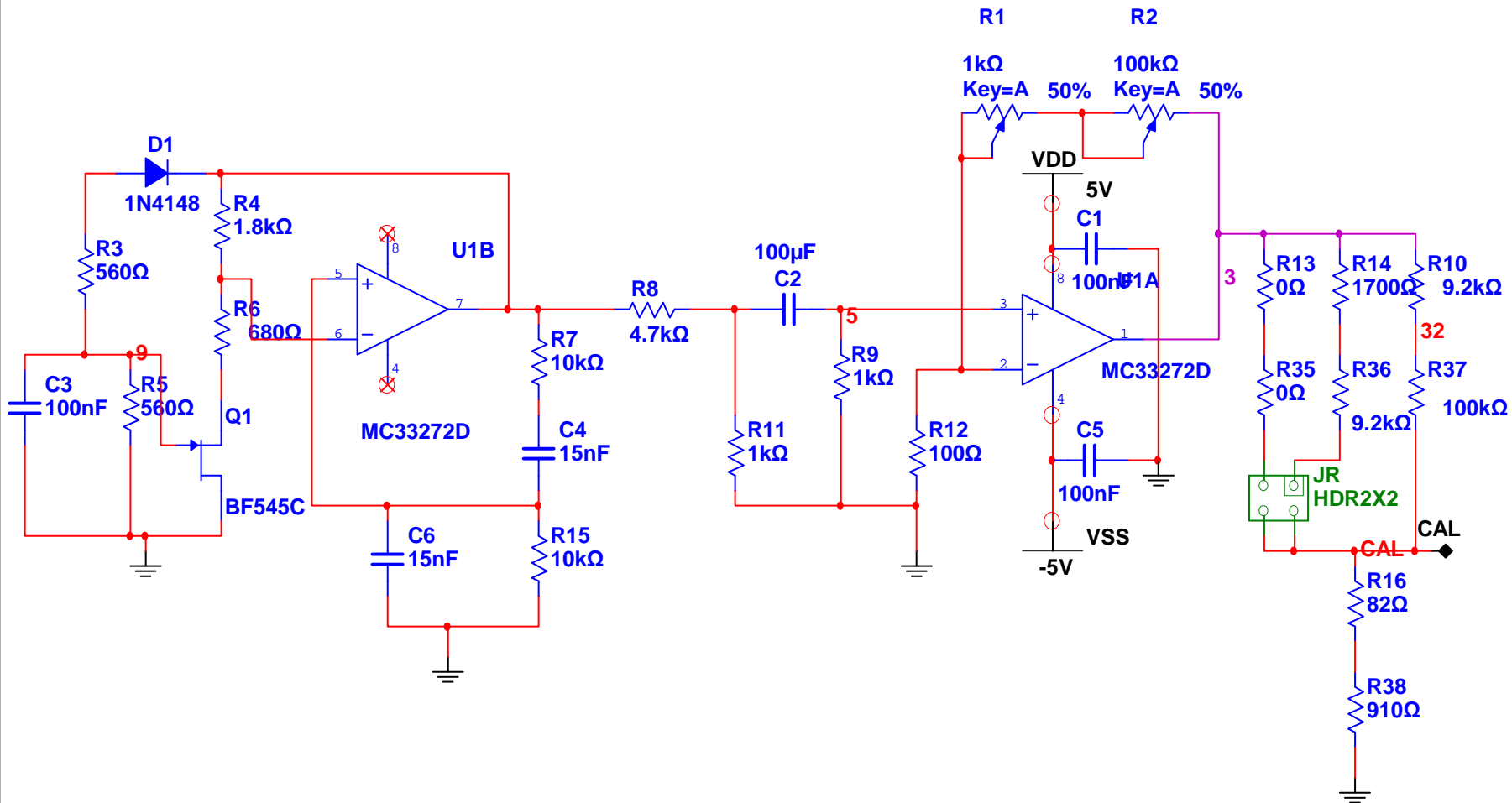


Title: Signalverteilung		
ICOS KMV (Körperschall-Mess-Verstärker)		
Designed by: Stephan Kock	Document N: 0001	Revision: B
Checked by:	Date: 2012-11-16	Size: A4
Approved by:	Sheet 1 of 6	



Title: Oszillator

ICOS KMV (Körperschall-Mess-Verstärker)

Designed by: Stephan Kock

Document N: 0001

Revision: B

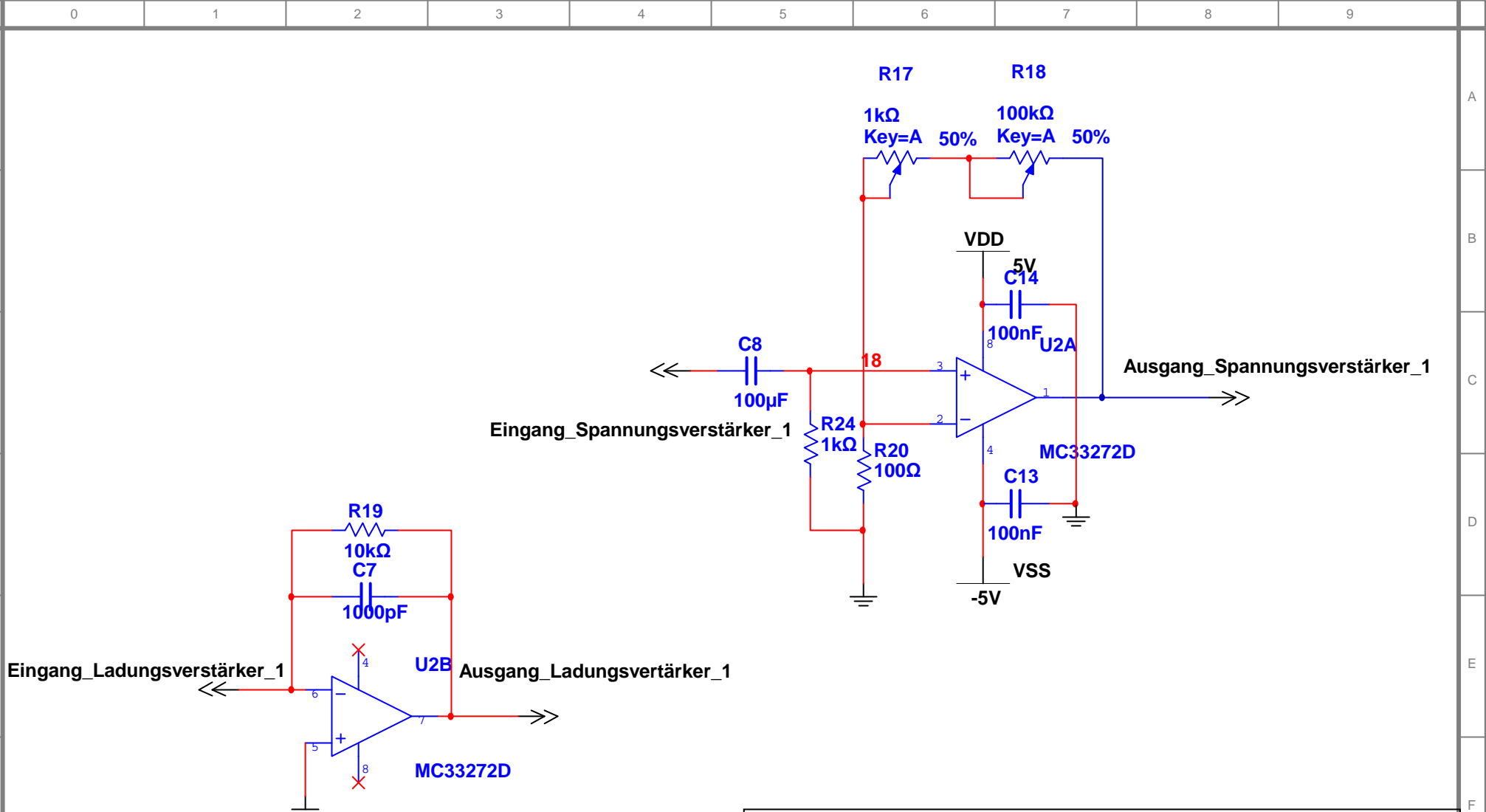
Checked by:

Date: 2012-11-16

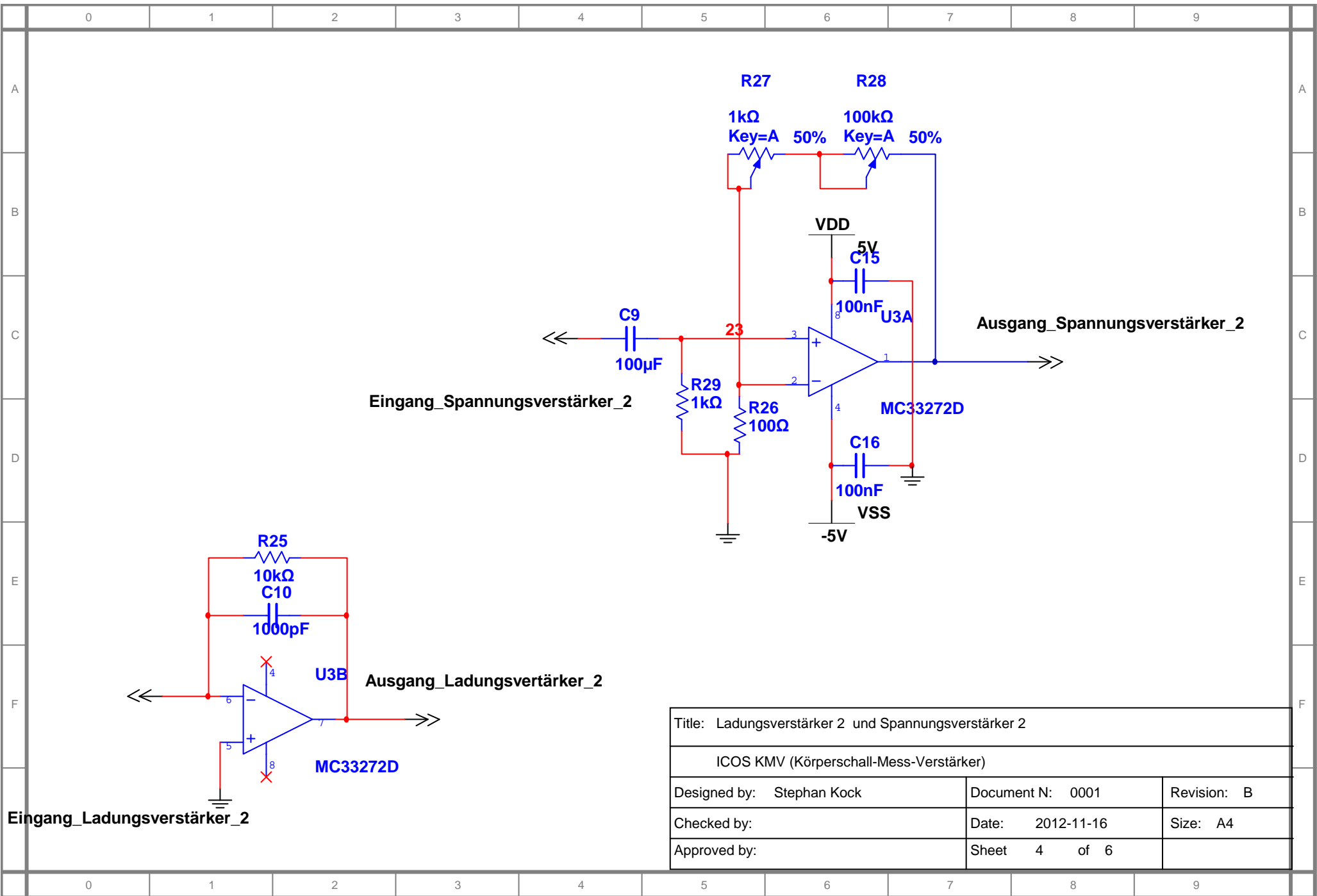
Size: Custom

Approved by:

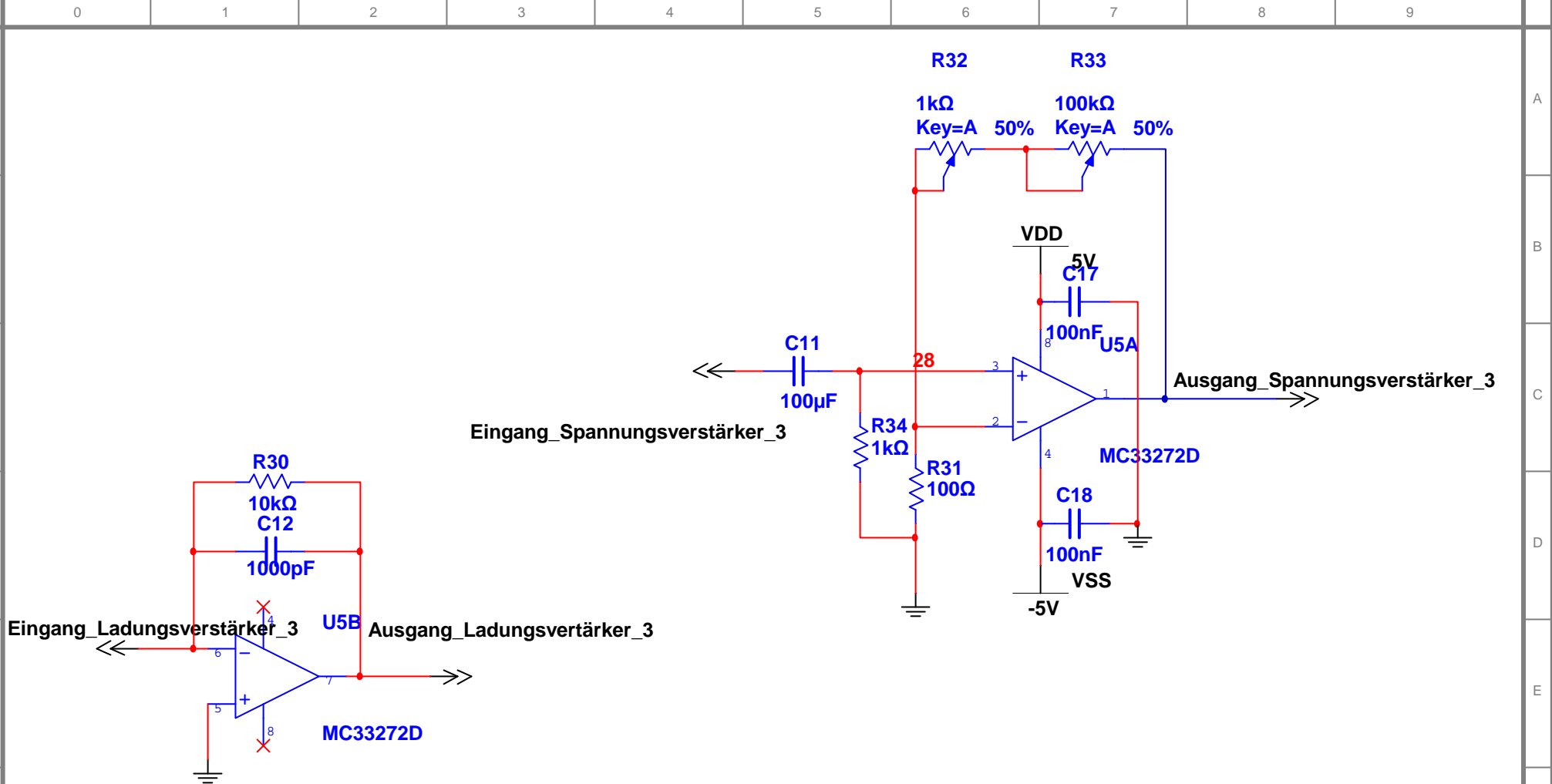
Sheet 2 of 6



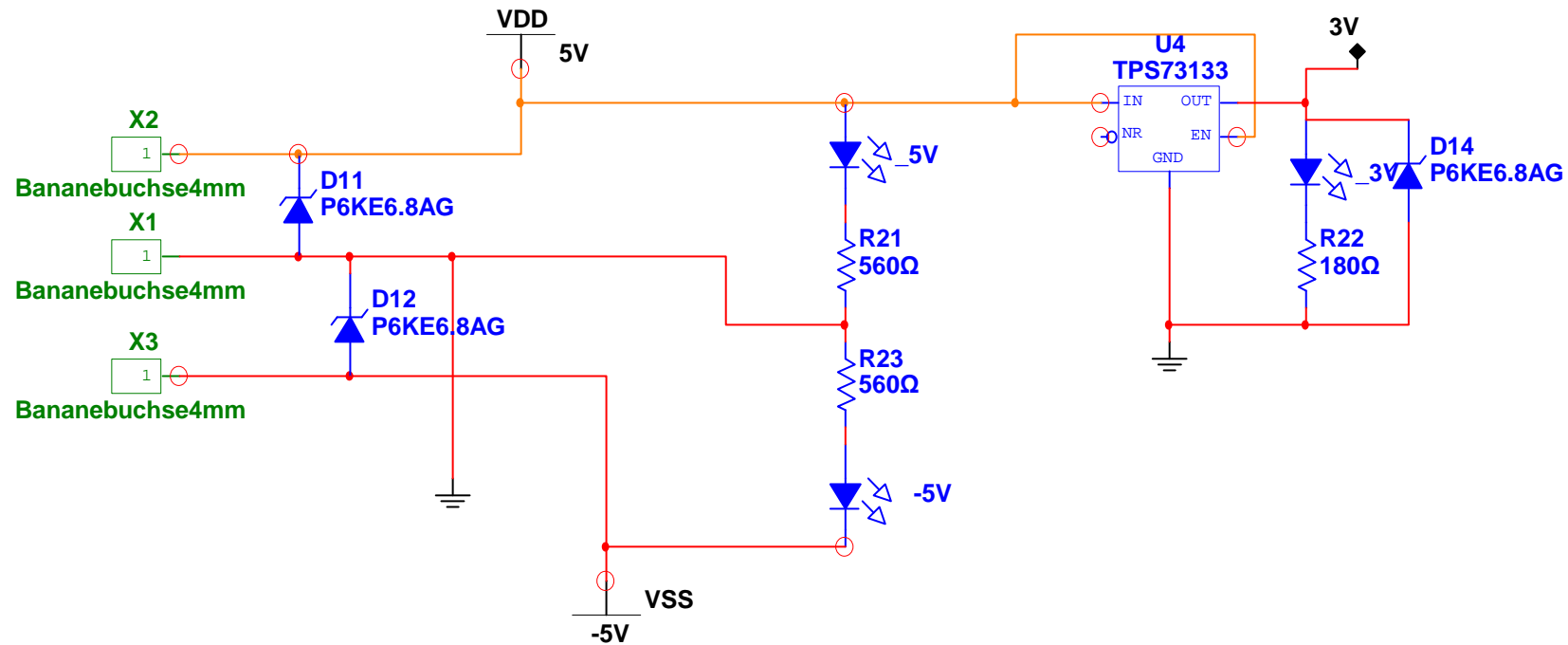
Title: Ladungsverstärker 1 und Spannungsverstärker 1		
ICOS KMV (Körperschall-Mess-Verstärker)		
Designed by: Stephan Kock	Document N: 0001	Revision: B
Checked by:	Date: 2012-11-16	Size: A4
Approved by:	Sheet 3 of 6	



Title: Ladungsverstärker 2 und Spannungsverstärker 2		
ICOS KMV (Körperschall-Mess-Verstärker)		
Designed by: Stephan Kock	Document N: 0001	Revision: B
Checked by:	Date: 2012-11-16	Size: A4
Approved by:	Sheet 4 of 6	



Title: Ladungsverstärker 3 und Spannungsverstärker 3		
ICOS KMV (Körperschall-Mess-Verstärker)		
Designed by: Stephan Kock	Document N: 0001	Revision: B
Checked by:	Date: 2012-11-16	Size: A4
Approved by:	Sheet 5 of 6	



Title: Spannungsversorgung		
ICOS KMV (Körperschall-Mess-Verstärker)		
Designed by: Stephan Kock	Document N: 0001	Revision: B
Checked by:	Date: 2012-11-16	Size: A4
Approved by:	Sheet 6 of 6	