

Reinhold Heuvelmann

Das Doppelhaus

Werkstattbericht aus der
MARC/RDA Working Group



109. Bibliothekartag

buten un binnen – wagen un winnen

16.-18.06.2021 | Bremen



Umbauphase



Joint Steering Committee
for Development of
RDA

News & Announcements

RDA/MARC Working Group Update

Under the auspices of the British Library, the Library and Archives Canada, and the Library of Congress, an RDA/MARC Working Group has been established to collaborate on the development of proposals for changes to the MARC 21 formats to accommodate the encoding of RDA data.

Although the MARC 21 formats support the encoding of descriptions created according to a wide range of content standards, the close relationship between AACR and MARC 21 has contributed to the efficient exchange of information among libraries for decades. The RDA/MARC Working Group will identify what changes are required to MARC 21 to support compatibility with RDA and ensure effective data exchange into the future.

Members of the RDA/MARC Working Group are:

Everett Allgood (New York University and CC:DA Liaison to MARBI)
Corine Deliot (British Library)
John Espley (VTLS and AVIAC representative to MARBI)
Kathy Glennan (University of Maryland)
Rich Greene (OCLC)
Rebecca Guenther (Library of Congress)
Reinhold Heuvelmann (Deutsche Nationalbibliothek)
Rhonda Lawrence (University of California, Los Angeles)
Bill Leonard (Library and Archives Canada)
Sally McCallum (Library of Congress)
Bill Moen (University of North Texas, School of Library and Information Sciences)
Marg Stewart (JSC Liaison to the RDA/MARC Working Group)
Martha Yee (UCLA Film and Television Archive)



**RDA/MARC
Working Group
2008-2011**

<http://www.rda-jsc.org/archivedsite/rdamarSWG.html>

Ergebnisse 2008 - 2014

[The Library of Congress](#) >> [Librarians, Archivists](#) >> [Standards](#)



MARC STANDARDS

[MARC 21 HOME](#) >> **RDA in MARC**

RDA in MARC

July 2014

MARC 21 Updates 9-18 include all changes to MARC for use with RDA *approved* through June 2014.

Content, Media and Carrier Types and Characteristics

RDA Content Types

- MARC already indicates content type in LDR/06.
- RDA contains a list of English language content types for which a **new field 336** was provided in [MARC Bibliographic](#) and in [MARC Authority](#).
- Field 336 may contain the RDA term (\$a) or a code (\$b); codes were established in MARC Update 10.
- For a table that relates the MARC LDR/06 to the corresponding RDA content terms and MARC codes for RDA content terms see: [Term and Code List for RDA Content Types](#).

RDA Media Types

- MARC already indicates media type in field 007/00.
- RDA contains a list of English language media types for which a **new field 337** is provided in [MARC Bibliographic](#) and in [MARC Holdings](#).
- Field 337 may contain the RDA term (\$a) or a code (\$b); codes were established in MARC Update 10.
- For a table that relates the MARC 007/00 to the corresponding RDA media terms and MARC codes for

<http://www.loc.gov/marc/RDAinMARC.html>

Thurstan Young (British Library):

RDA in MARC 21: Accommodating 3R

A presentation by Thurstan Young,
U.K. Representative to the MARC Advisory Committee

June 2018

Thurstan Young

<http://www.gordondunsire.com/pubs/pres/M21AndRDA.pptx>

Aufgaben

- “Evaluate the scope and impact of the extensions to RDA arising from the **RDA 2019 revision** in relation to MARC 21”
- “Identify and prioritize possible **changes to MARC 21** to support compatibility with the RDA extensions and ensure **effective data exchange** into the future”
- “Prepare discussion papers and proposals for the **MARC Advisory Committee**”

http://www.loc.gov/marc/mac/MARC-RDA_Working_Group.html

Zeitplan

- **December 2019:** Preparation of initial discussion papers.
- **January 2020:** ALA Midwinter meeting, where discussion papers will be considered.
- **January – April 2020:** Working group meetings.
- **April – June 2020:** Preparation of proposals and discussion papers.
- **June 2020:** MAC Annual meeting; consideration of proposals and discussion papers.
- **July – October 2020:** Working group meetings.
- **November – December 2020:** preparation of proposals and discussion papers.
- **January 2021:** MAC Midwinter meeting; consideration of proposals.
- **February – April 2021:** Working group meetings.
- **April – June 2021:** Preparation of proposals and discussion papers.

- **June 2021:** MAC Annual meeting; consideration of proposals and discussion papers.
- **August – October 2021:** Working group meetings.
- **November – December 2021:** preparation of remaining proposals.
- **January 2022:** MAC Midwinter meeting; consideration of proposals.

Mitwirkende

– **Leitung**

Ebe Kartus – RSC-Liaison, University of New England, New South Wales
Sally McCallum – Leiterin NDMSO, Library of Congress

– **MARC Steering Group**

Thurstan Young – British Library
John Zagas – Library of Congress
Reinhold Heuvelmann – Deutsche Nationalbibliothek
Bill Leonard – Library and Archives Canada
Hong Cui – Library and Archives Canada

– **Systembetreiber**

Wayne Schneider – Index Data
Jay Weitz – OCLC

– **Fachliche Experten**

Matthew Wise – Vorsitzender MARC Advisory Committee (MAC)
Catherine Gerhart – Audiovisuelle Ressourcen (vertritt OLAC im MAC)
Susan Moore – Kartografische Ressourcen (vertritt MAGIRT im MAC)
Tina Shrader – Zeitschriften
Karen Peters – Musikalien (vertritt MLA im MAC)
Kalan Knudson Davis – Alte Drucke und Handschriften

Fragen und Kriterien

- Welches Teilformat: Bibliographic, Authority, ...?
- Granularität: Datensatz, Feld, Unterfeld?
Indikator? Code-Position?
- Machbarkeit: Änderungen möglich, oder Grenzen der MARC-Syntax erreicht?
- Konsistenz: gleiche Elemente quer über Teilformate, Felder, etc.? Oder unterschiedliche Teil-Lösungen?
- Nutzen: wie hilfreich wären Änderungen?
- Anwendbarkeit: wie sähe eine Änderung in der Praxis aus?

Themenbereiche

- Entitäten nach dem neuen RDA
 - RDA Entity
 - Nomen
 - Agent
 - Place
 - Timespan

- Elemente im neuen RDA
 - Recording Methods:
unstructured description, structured description, identifier, IRI
 - Manifestation Statements
 - Diachronic Works: Extension Plan & Mode of Issuance
 - Representative Expressions
 - Data Provenance (Metametadata)
 - RDA Value Vocabularies

Low hanging fruits first ...



Diskussionspapiere und Anträge

- [2021-16](#): Recording the Type of Binding for Manifestations in the MARC 21 Bibliographic Format
- [2021-10](#): Recording the Type of Binding for Manifestations in the MARC 21 Bibliographic Format
- [2021-09](#): Recording the Mode of Issuance for Manifestations in the MARC 21 Bibliographic Format
- [2020-07](#): Recording the Extension Plan for Bibliographic Works in the MARC 21 Bibliographic and Authority Formats
- [2020-06](#): Defining a New Field for Manifestation Statements in the MARC 21 Bibliographic Format

- [2021-DP12](#): Recording Representative Expressions in the MARC 21 Authority and Bibliographic Formats
- [2021-DP11](#): Recording Non-Cartographic Scale Content in the MARC 21 Bibliographic Format
- [2021-DP10](#): Recording Data Provenance in the MARC 21 Formats
- [2021-DP06](#): Recording Data Provenance in the MARC 21 Formats
- [2020-DP17](#): Recording the Type of Binding for Manifestations in the MARC 21 Bibliographic Format
- [2020-DP16](#): Recording the Mode of Issuance for Manifestations in the MARC 21 Bibliographic Format
- [2020-DP07](#): Recording the Extension Plan for Bibliographic Works in the MARC 21 Bibliographic and Authority Formats
- [2020-DP06](#): Defining a New Field for Manifestation Statements in the MARC 21 Bibliographic Format

Zwischenergebnisse, Stand: Juni 2021

- Feld 881
Manifestation Statements
<https://www.loc.gov/marc/bibliographic/bd881.html>
- Feld 335
Extension Plan
<https://www.loc.gov/marc/bibliographic/bd335.html>
- Feld 334
Mode of Issuance
<https://www.loc.gov/marc/bibliographic/bd334.html>
- über 30 Einträge zu RDA Value Vocabularies
<https://www.loc.gov/standards/sourcelist/genre-form.html>
unter „rdaar“ etc.

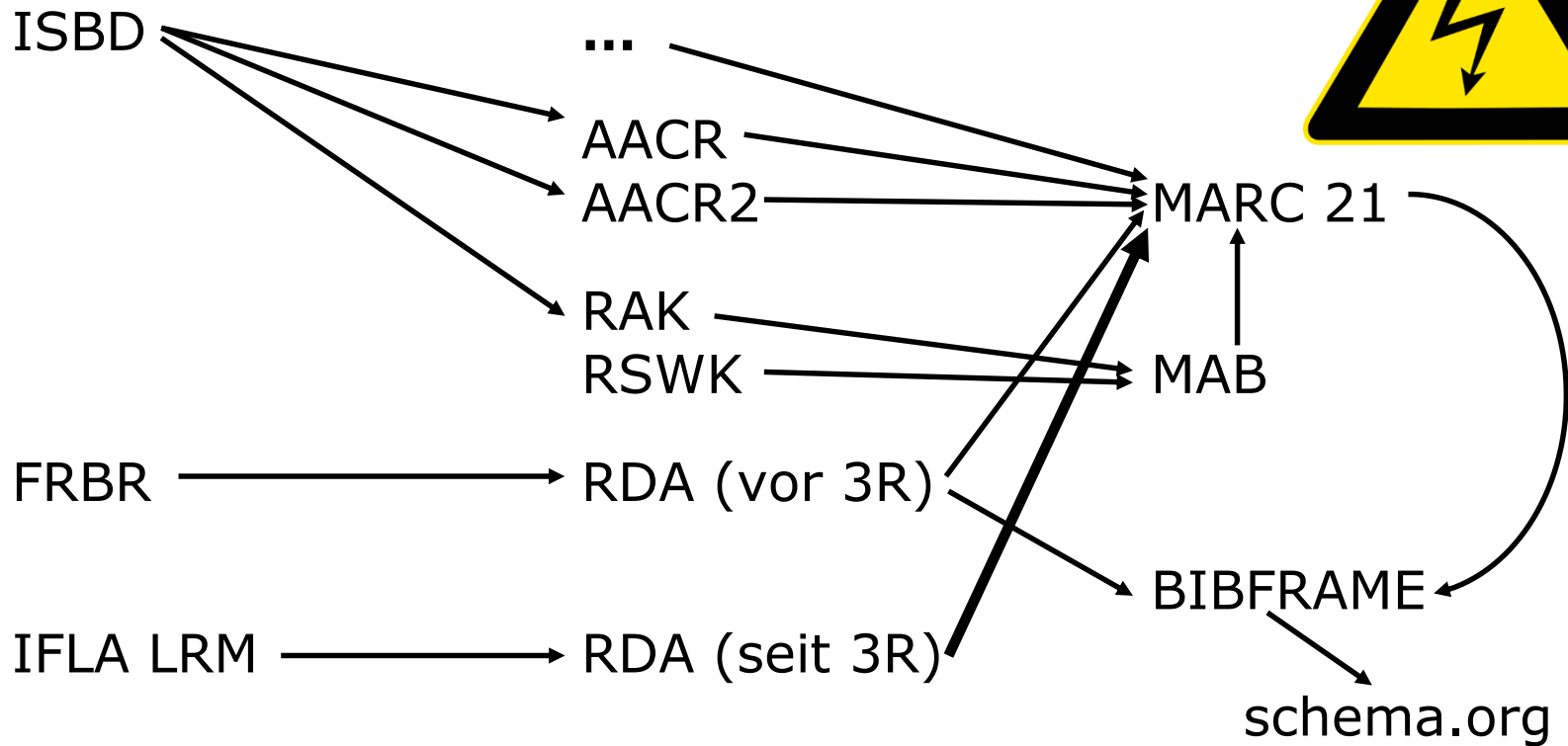
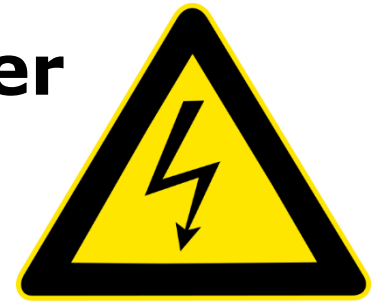
Aktuell in der Diskussion

- **Type of Binding**
wohl in Feld 340 „Physical Medium“ \$l „Binding“
- **Non-Cartographic Scale**
wohl Feld 507 „Scale Note for Graphic Material“
- **Representative Expressions**
5 Optionen, Diskussion noch in Anfangsphase
- **Data Provenance**
17+3 Elemente
entweder 883 „Metadata Provenance“ mit \$8, neue Unterfelder
oder neues Unterfeld: \$7 (und wenige weitere)
oder neues Unterfeld „\$_
 („\$@“, „\$~“);
wenn neues Unterfeld:
 Unterlabel: „\$7a“, „\$7b“, etc.
 oder Klammern + Codes: „\$7(dpesc)rda“
- Tagesordnung MARC Advisory Committee, Ende Juni 2021:
https://www.loc.gov/marc/mac/an2021_age.html

Noch ausstehend ...

- Nomen
- Agent
- Place
- Timespan
- restliche RDA Value Vocabularies

Beziehungen und Spannungsfelder



Und dann?



Danke für Ihre Aufmerksamkeit

r.heuvelmann@dnb.de

Bildquellen

Doppelhaus

By Karsten Ratzke - Own work, CC0, <https://commons.wikimedia.org/w/index.php?curid=21532563>

Umbauphase

Anbau-Doppelhaushälfte-WTR (Ausschnitt)

Copyright 2018 AVS Taglieber GmbH, Oettingen

<https://avs-taglieber.de/news/2018/12/Doppelhaush%C3%A4lfte%20Wassertr%C3%BCdingen.php>

Low hanging fruits first

"Gerard van Honthorst 008" by Gerard van Honthorst - www.geheugenvannederland.nl : Home : Info : Pic. Licensed under Public Domain via Wikimedia Commons

High Voltage Warning

Von Made with Sodipodi by Duesentrieb - Eigenes Werk, CC BY-SA 2.5,

<https://commons.wikimedia.org/w/index.php?curid=332830>

Moving Mess

By Steve Ryan from Groveland, CA, USA - Moving Mess - Day 4, CC BY-SA 2.0,

<https://commons.wikimedia.org/w/index.php?curid=2350187>